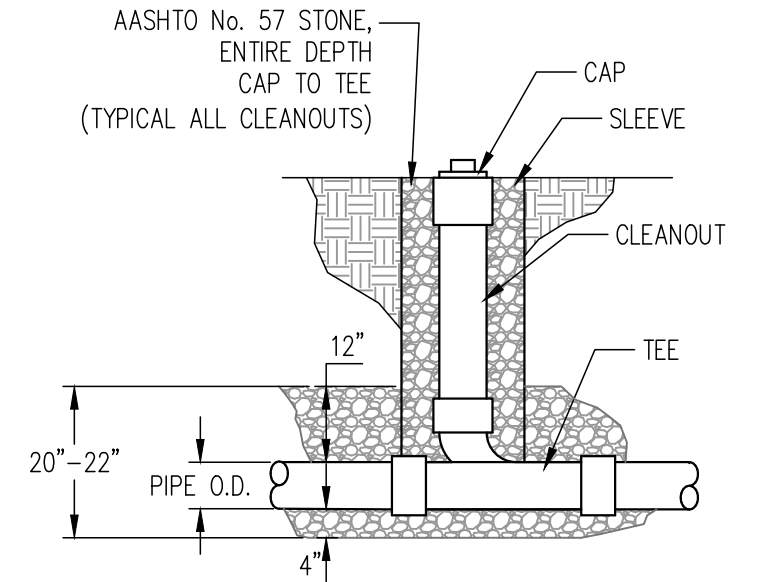
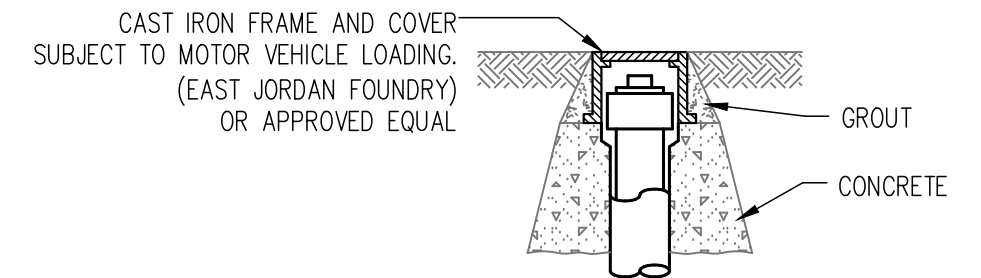


GRAVITY LINE SEWER LATERAL DETAIL



SDR 35 PVC CLEANOUT BACKFILL DETAIL



CLEANOUT, INSPECTION STACK, AND BACKFLOW VALVE DETAIL IN PAVED AREAS OR VECHICULAR TRAFFIC

NOTES:

1. THE LATERAL PIPE SHALL BE EITHER 4" OR 6" DIAMETER PIPE. ALL PIPE, FITTINGS, CLEANOUTS, AND INSPECTION STACKS SHALL BE SDR 35 PVC, SCHEDULE 40 PVC (GLUED), OR ABS SCHEDULE 40 PIPE (GLUED). WHEN USING SDR 35 PVC ALL CLEANOUTS MUST BE SLEEVED WITH 8" PIPE ON 4" CLEANOUTS AND 10" PIPE ON 6" CLEANOUTS AND BACKFILLED WITH AASHTO No. 57 STONE (FREE OF FINES).
2. IN ALL CASES THE SEPTIC TANK MUST BE BY-PASSED.
3. THE CLEAN-OUT AND INSPECTION STACK SHALL BE BROUGHT TO GROUND LEVEL AND ACCESSIBLE AND SHALL BE SEALED AT ALL TIMES.
4. THE FRESH AIR VENT SHALL BE ABOVE GROUND LEVEL TO PREVENT STORMWATER RUNOFF FROM ENTERING SANITARY SEWER AND PROPERLY CAPPED AT ALL TIMES
5. A CLEAN-OUT SHALL BE INSTALLED EVERY 100 FEET (6"φ PIPE) OR 100 FEET (4"φ PIPE), AND AT MAJOR CHANGES IN DIRECTION.
6. INSTALL AASHTO No. 57 STONE 4 INCHES BELOW PIPE FOR BEDDING AND ONE FOOT OVER TOP OF PIPE. FOR SUPPORT AND PROTECTION.
7. ALL YARD DRAINS, DRIVEWAY DRAINS, FRENCH DRAINS, DOWNSPOUTS, SUMP PUMPS (FOR GROUNDWATER ONLY) AND ALL OTHER STORMWATER AND GROUNDWATER CONVEYANCE AND COLLECTION DEVICES SHALL NOT BE CONNECTED INTO THE SANITARY SEWER.
8. CAST IRON FRAME & COVER MUST BE USED IN PAVED AREA WHERE ANY VEHICULAR TRAFFIC OCCURS.
9. OWNER MAY WAIVE BACKFLOW PREVENTER REQUIREMENT BY SIGNING WAIVER WITH MUNICIPAL AUTHORITY OF WASHINGTON TOWNSHIP.

THE ABOVE ARE GUIDELINES, HOWEVER ALL APPLICABLE PLUMBING AND BUILDING CODES SHALL BE MET FOR FINAL APPROVAL IN ADDITION TO ABOVE DETAILS AND INFORMATION

REV. 4, 03/06/2019
 REV. 3, 11/21/2018
 REV. 2, 03/04/2009
 REV. 1, 02/16/2006

NOTE:
 ANY REPAIRS TO EXISTING LATERALS SHALL MEET CURRENT DETAIL STANDARDS

NOTE:
 CAST IRON FRAME AND COVER MAY BE USED IN LAWN AREAS ON ALL VERTICAL PENETRATIONS

GRAVITY LINE LATERAL DETAIL		SENATE ENGINEERING COMPANY	
SITUATE IN: WASHINGTON TOWNSHIP, WESTMORELAND COUNTY, PA.		ENGINEERS — PLANNERS — SURVEYORS UNIVERSITY OF PITTSBURGH APPLIED RESEARCH CENTER 420 WILLIAM PITT WAY, PITTSBURGH, PA. 15238 PHONE (412) 826-5454 FAX (412) 826-5458	
PREPARED FOR: MUNICIPAL AUTHORITY OF WASHINGTON TOWNSHIP	DRAWN BY: GJZ	CHECKED BY: RJG	DATE: 08/23/2005
	JOB NUMBER 4932	DRAWING NUMBER A391001rz-REV	SCALE: N.T.S.
	1 OF 1		